

OIL LEVEL INDICATOR

MODEL : SO-HE-10-M-ATMS

1.0 APPLICATION:

This indicator is suitable for conservator of oil filled transformer having Aircell (Flexi separator)

2.0 CONSTRUCTION & WORKING:

The indicator has cast aluminum body with built-in flange. To avoid leakage of oil and to avoid entry of contaminated moist air in conservator, a pair of permanent magnets is used for the operation of indicator separated by a metallic wall. A roller type float is used as sensor of level and it is connected to driving magnet through a bevel gear.

Float, driving magnet and bevel gear remain in oil inside the conservator. The driven magnet is positioned outside in air in the housing. The driven magnet carries a cam and a pointer. The cam is set to operate the switch near empty level and the pointer is set to read the level inside the conservator. (see schematic fig.1).

In this model, the dial body can be separated from the base by loosening 6 screws to have access to the switch. For this model a float arm suitable for specified diameter of conservator is supplied. It is not possible to supply adjustable length type float arm for this model. The leads from the switch are brought out in a separate terminal box at the bottom of indicator with a removable cover. Terminal box is provided with a hole with 3/4" bsc threads for cable gland.

3.0 SPECIFICATIONS:

Liquid In Tank : Transformer Oil

Working

- Temp : -10° to 115°C of Oil.
- Pressure : 0 to 1 kg/cm²
- Environment : Indoor or Outdoor.

Mounting : The buyer is required to provide the mounting flange as per Fig.2

Calibration

- Dial Size : Ø 250mm Nominal
- Unit : Any unit is possible as per Customers Req.
- Dial Colour : Black marking on yellow OR white background OR any other special marking is possible.
- Spread : Max 150° (See Fig:4)

Float (Sensor) and Arm

- Float : Nitrophenyl
- Float Arm : Stainless Steel

Float arm Travel: 45° Max. (See Fig.3)

Margin

Leave 100mm beyond Lower limit and 150mm above Higher limit for clearance (See Fig.6)

Protection Class

1. Ingress : IP-67
2. Corrosion : C4-M

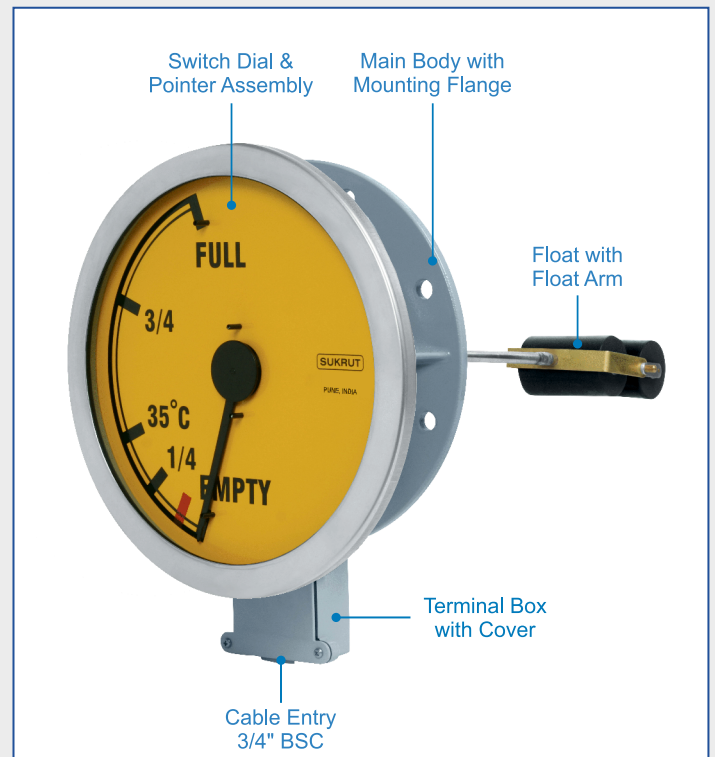
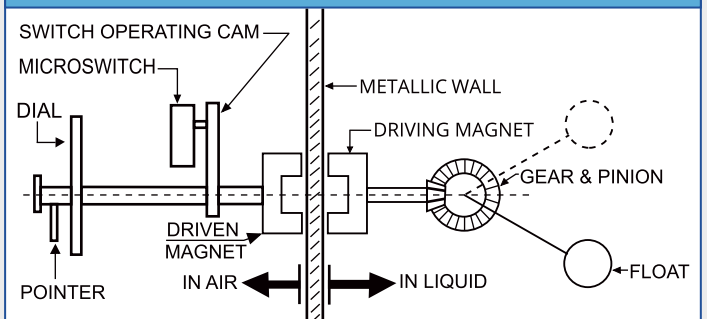


FIG. 1 SCHEMATIC



Switch

- Type : Micro Switches
- Contact Rating : 5A, 240V AC & 0.25A 240V DC
- Operation : Refer wiring diagram at Fig.5

5.0 ROUTINE TESTS

Each indicator is tested for

1. Specified levels.
2. Switch operation
3. HV Test
4. Leakage Test.

A combined test certificate is issued for each batch.

6.0 HOW TO ORDER :

We provide a Questionnaire for specifying your requirements. However, a drawing is acceptable giving all specifications.



OIL LEVEL INDICATOR

MODEL : SO-HE-10-M-ATMS

FIG.3. OIL LEVEL INDICATOR-HI-250

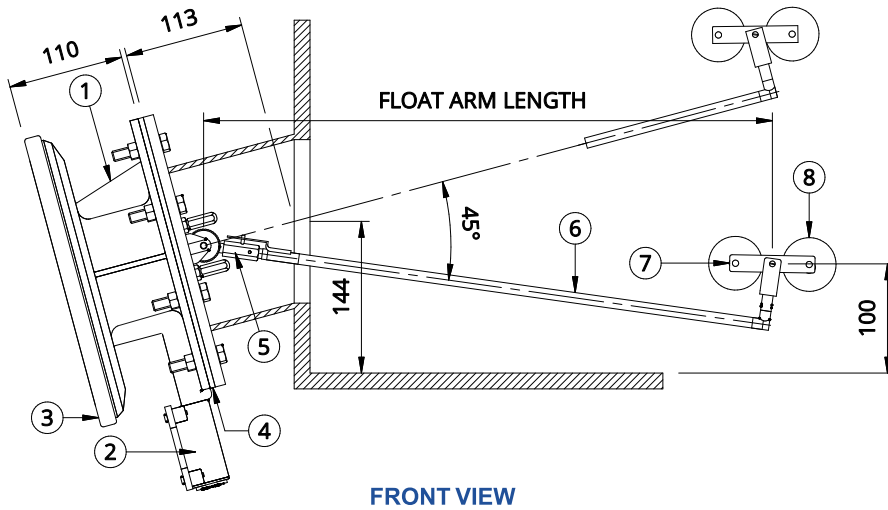


FIG.4. FLOAT ASSEMBLY

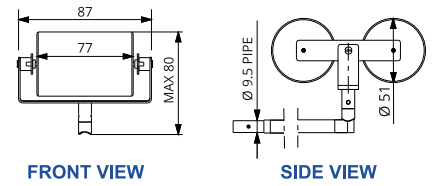
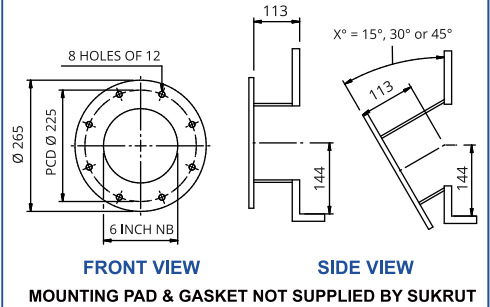


FIG.5. MOUNTING PAD



PART LIST

S/N	DESCRIPTION	MATERIAL	QTY	S/N	DESCRIPTION	MATERIAL	QTY
1.	HOUSING	ALUMINUM	1	5.	LEVER WITH GEAR	BRASS	1
2.	BASE WITH TERMINAL BOX	ALUMINUM	1	6.	FLOAT ARM	S.S	1
3.	DIAL	S.S	1	7.	BRACKET FOR FLOAT	S.S	1
4.	GASKET	NBR	1	8.	FLOAT	NITROPHYL	2

FIG.6. FLOAT TRAVEL

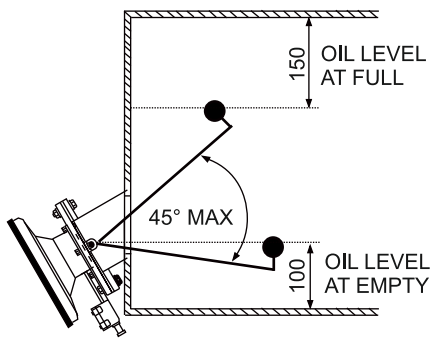
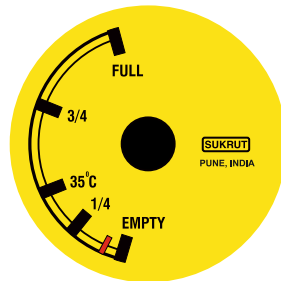
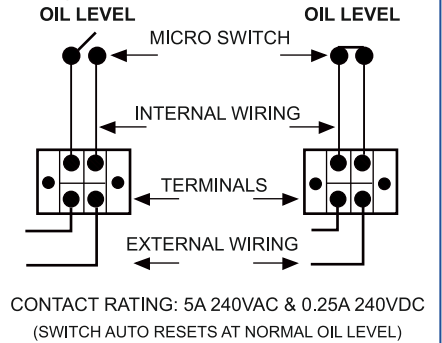


FIG.7. DIAL MARKING



ANY OTHER MARKING IS POSSIBLE

FIG.8. WIRING DIAGRAM



GENERAL NOTES :

1. Indicators of different specifications are not interchangeable. Hence care should be taken while storing Indicators and their Float with Arms. This indicator can be used for vertical or inclined mounting as per order.
2. Float & Indicator, loose or assembled, should be handled carefully as they cannot be repaired if damaged.
3. The complaint of damage or demand for spares should be very specific with respect to Sr. No. of indicator. Lot of correspondence and time can be saved just by informing Sr. No. of concerned Indicator.
4. Hardware, gaskets & cable gland is not provided by Sukrut.



SUKRUT ELECTRIC CO. PVT. LTD.

Plot No. Pap-B-63, MIDC Chakan Industrial Area Phase - II, Village Bhamboli, Taluka Khed District Pune 410 501, Maharashtra, India.

Mobile : +91 75077 78841 / 75077 78842

Email : marketing@sukrutelectric.com

Web : www.sukrutelectric.com

